

Off road vehicle (OHV) are designed for use off the public roadways. They include, but are not limited to, 3-4 wheeler, dirt bike, go-cart, etc. Please refer to the picture depictions for more details. Registration is required on any of the above when operated on public lands. Registration is required to be displayed (year), on both side-facing front fenders or the handlebar "neck", and to be accompanied with a registration card. All registrations expire on March 31 of the noted year. "Dual sport" dirt bikes, or any special use vehicles must have proper equipment for roadway use (horn, rearview mirror, lights, signals) and a current license plate.

OHV operators are also subject to the following restrictions while riding in Pueblo West, CO:

The below are "civil" process violations of the Pueblo West Committee of Architecture "rules" commonly referred to as covenants by residents. The enforcement of which solely resides on the said committee, as no part is a violation of criminal and/or natural resources laws that the above steps address.

Section D - Land Use

**#6 - Dust Control:**

"Under no circumstances shall the owner of any log and/or parcel of land disturb the natural soil or grasses unless the owner immediately thereafter, constructs on, paves, gravels, or replants such disturbed area with ground cover approved by the Committee of Architecture."

**#9 - Nuisance:**

"No noxious or offensive activities shall be carried on upon any lot, nor shall anything be done thereon which may be or may become an annoyance or nuisance to the neighborhood."

**Know what's allowed**

**TIP**

Here's a

Rural living has it's benefits and ATV riding on spacious land is certainly one. It is important to remember to be a good citizen and neighbor. If you break any of the laws listed on this brochure or become a nuisance in your community, it's likely we will be visiting you.

Sheriff Kirk M. Taylor and the Pueblo County Sheriff's Office would like to thank these community partners:



PCSO proudly coordinates local Neighborhood Watch efforts for information call **583-4730**

**Colorado Parks and Wildlife**

**(303) 791-1920**

**Pueblo West Metro District**

**719-547-9661**

**Colorado Dept of Revenue**

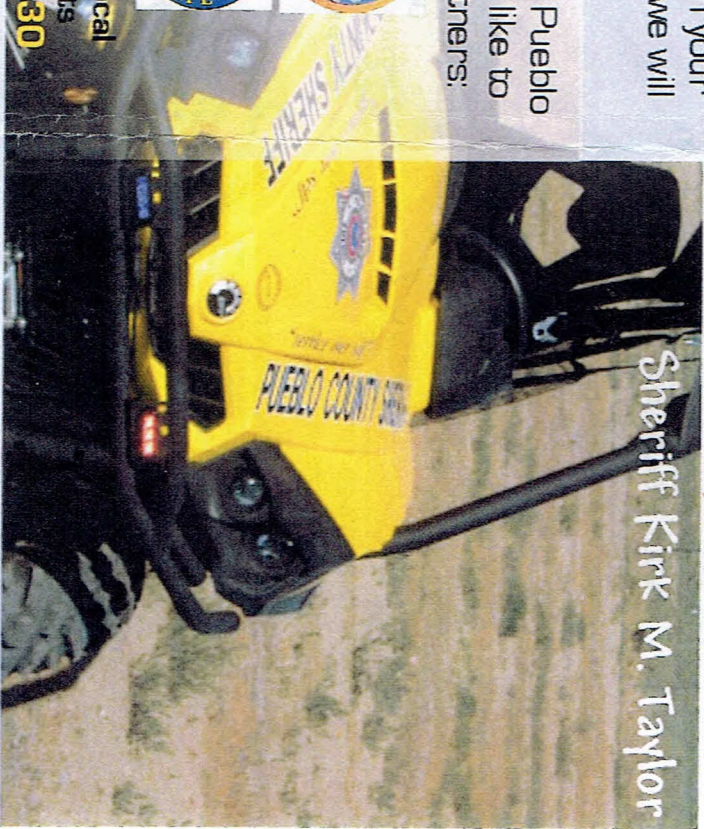
**(303) 205-5600**

**Pueblo County Sheriff's Office**

**719-583-6250**

**Colorado State Patrol**

**719-544-2424**



Sheriff Kirk M. Taylor

**Before U Ride**



**Off Road**




Know the Rules

The information to the right has been compiled so citizens can see which motorized vehicles require special registration, which require a drivers license to operate, and/or if any are allowed on the Pueblo roadways (street legal). This brochure also includes information on off-road vehicle laws, penalties, and accident reporting requirements for such vehicles.

# Penalties

- UNLAWFUL OPERATION OF AN UNREGISTERED OHV**  
CRS 33-14.5-102 (1)(a)  
State Summons -court date
- UNLAWFUL OPERATION OF AN OHV ON PUBLIC (ROADWAY/HWY)**  
CRS 33-14.5-108 (1)  
State Summons -court date
- UNLAWFUL OPERATION OF A OHV ON A SIGNED NON-MOTORIZED TRAIL**  
CRS 33-11-112  
State Summons -court date
- UNLAWFUL OPERATION OF AN OHV WITHOUT AN ADEQUATE MUFFLER**  
CRS 33-14.5-109 (1)(b)  
State Summons -court date
- UNLAWFUL OPERATION OF AN OHV WITHOUT ADEQUATE SPARK ARRESTER**  
CRS 33-14.5-109 (1)(b)  
State Summons -court date
- UNLAWFUL OPERATION OF OHV INTERFERE W/ DRIVER CONTROL, OR VIEW**  
CRS 33-14.5-107 (1)(d)  
State Summons -court date

Vehicle Type	Registration	Drivers License	Street legal
	YES	NO	NO
	NO	NO	NO
	YES	NO	NO
	YES	NO	NO

Vehicle Type	Registration	Drivers License	Street legal
	YES	YES	YES
	YES	YES	YES
	YES	YES	YES



**FAILED TO OBSERVE A TRAFFIC CONTROL DEVICE**  
County ticket with a court date for a payable infraction (only offenses that does not require a court appearance)

## Accident Reporting

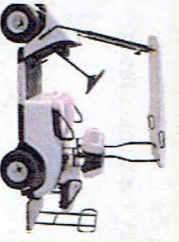

**OFF-ROAD:** Any OHV accident that involves death, hospitalization, or property damage greater than \$1500 must be immediately reported to the Colorado State Patrol, Pueblo County Sheriff's Office, or the Pueblo Police Department.

**ON-ROAD:** Any accident occurring on a public roadway must be immediately reported to the jurisdictions law enforcement, regardless of injury or significant property damage. There is an exception for "cold-report" status.

**SPECIAL USE:** These accidents, if occurring on private property do not require reporting. Should the accident occur on a public roadway, the OHV reporting requirements apply.

**OPERATING ANY OF THESE VEHICLES UNDER THE INFLUENCE OF ALCOHOL OR A CONTROLLED SUBSTANCE IS UNLAWFUL.**



Vehicle Type	Registration	Drivers License	Street legal
	NO	NO	NO
	NO	NO	NO

# Special Use      On-road      Off-road